

# QMAX

## 半自動打扣機 Semi-Auto Snap Attaching Machine

### FT-180



with finger protection

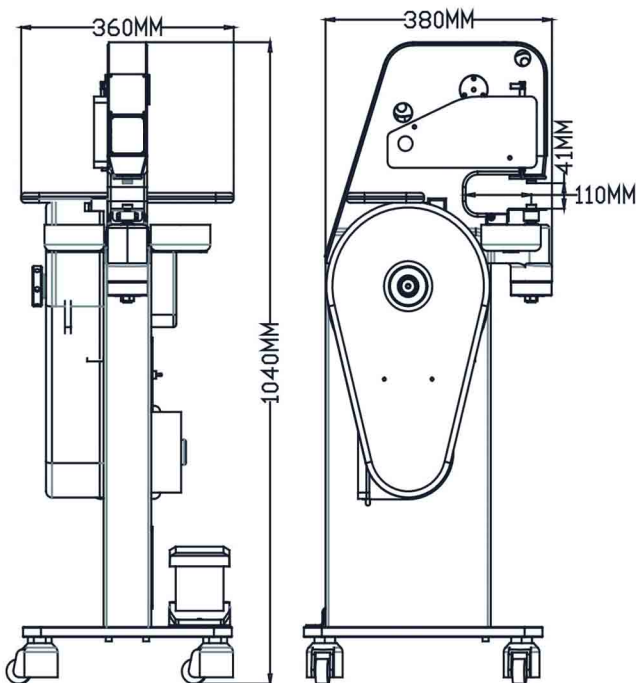


# FT-180

# 新款半自动打扣机 FASTENING MACHINE

**FT-180** 半自动打扣机（2016）是花巨资从日本引进最先进的技术研发生产的成果。主要配件全部从日本进口，因此质量性能绝对有保证。这款打扣机是适用于各类型**塑胶扣**或**金属急钮**、**五爪钮扣**、**铆钉**等。这款自动打扣机绝对满足全球打钮扣工业的标准，保证用得安心。

**FT-180** semi-automatic snap fastening machine (2016) is highly engineered with imported state-of-the-art technology from Japan. All major parts are imported from Japan. Thus, quality performance is guaranteed. This snap attaching machine is customized to fit for **plastic snaps, metallic press snaps, prongs and rivets**. This automatic machine certainly meets the global industry standard in snap attaching with a peace of mind.



## 規 格 SPECIFICATION

转速 RATE OF ROTATION:	1410r.p.m
马力 MOTOR:	0.25KW(1/3HP) AC 110V. 220V
马达类型 MOTOR TYPE	HITACHI 日立 EFOU-KT
机器重量 MACHINE WEIGHT	77Kg (1台) (PER UNIT)
体积 MEASUREMENT	1.2CBM (2台) (PER TWO UNITS)

## 用 途 APPLICATIONS

"QMAX" is a trademark registered and solely distributed by HCL Asia Ltd unless with its authorization.

